

ILS prides itself to build the highest quality lecterns around from thick aluminum profiles, blocks and plates, machined to a perfect fit and style. The lecterns are virtually free of maintenance for decades. In ILS products it is possible to remove a damaged part and renew it, or to make new fittings for future upgrades without affecting the rest of the installed system.

ILS Navigator AT delivers ILS quality with a smart design and cost-efficient solution. The solid top of the lectern is made of anodized or coated aluminum. It is placed on a motorized narrow pillar with a height adjustment range up to 40 cm (15" +). Two buttons will help you to control it. In the lowest position, a seated person can freely use the system.

The Navigator AT is an ideal solution for rooms where handwritten notes or laptops are used for presentations. The system includes a laptop power socket and a tablet and smartphone holder with built-in charging cables. Plug your laptop into the HDMI socket to transmit the presentation to the big screen. The working surface of the Navigator series has a tilting range of 12 - 22°. An XLR3 shock-mount suits most gooseneck microphones (optional 2 sockets) and a reading light with switch is included. When needed, second horizontal side table can be integrated moving up and down with the top. This will make it possible to place a document camera, control panel or laptop on one of them.

For ease of movement and stability of the lectern during the presentation, four lockable smart castors are provided. In addition, we will be pleased to engrave your logo on the extra front/privacy panel of the lectern, in case of using the system in formal events!



DIMENSIONS

Width	Top: 720 mm x 535 mm Side Plate: 450 mm x 295 mm Top + Side Plate: 1100 mm
Height	User side: min: 835 mm max: 1230 mm Audience Side: min: 965 mm max: 1360 mm Tilt adjustment: 12° -22°
Weight	60 kg

INTEGRATION

Accessories	Audio: 1 x Microphone: T-bone GM5212 Light: 1 x Light: ADAM HALL BNC lamp
Features	Budget model with monitor tilt for extra 10° range Luxury anodised aluminum surface for laptop and documents Ultra Wide Phone/Tablet holder Height adjustment: Motorised Narrow Pillar 40cm range height 3 x Buttons (2 x Height control; 1 x Light;) 4 x Lockable smart castors or sideways rollers

CONNECTIVITY

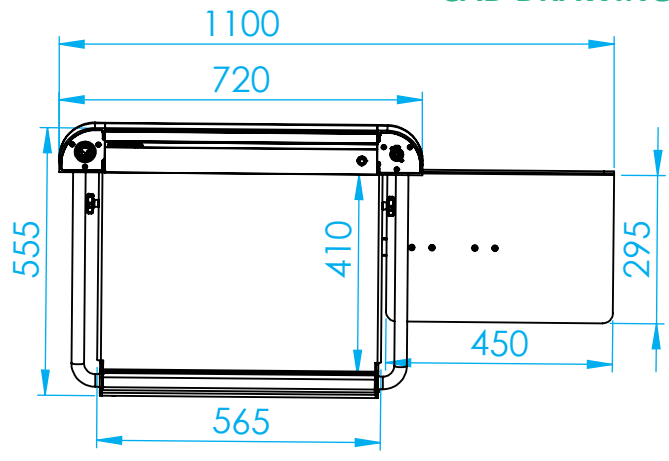
Top	1 x 3-Pin XLR Shock Mount for microphone 1 x 4-Pin XLR Light socket (12V) 3 x Charging cables (USB type-C; Lightning; micro USB;) 3 x Sockets (type on request) - Laptop connectivity 1 x AC power socket
Bottom	1 x HDMI; 1 x PC LAN; 1 x XLR microphone; 1 x AC Power cable;



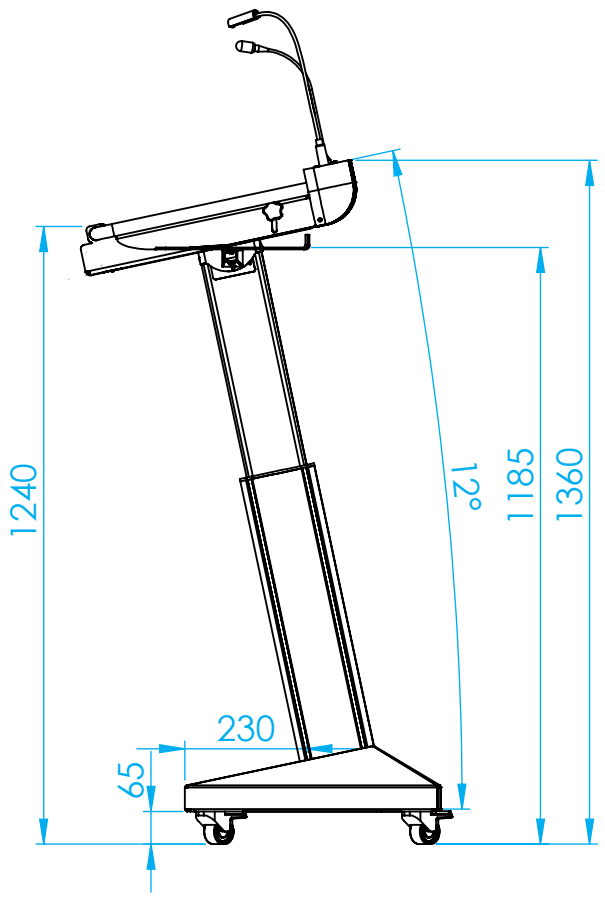
NAVIGATOR AT

CAD DRAWING

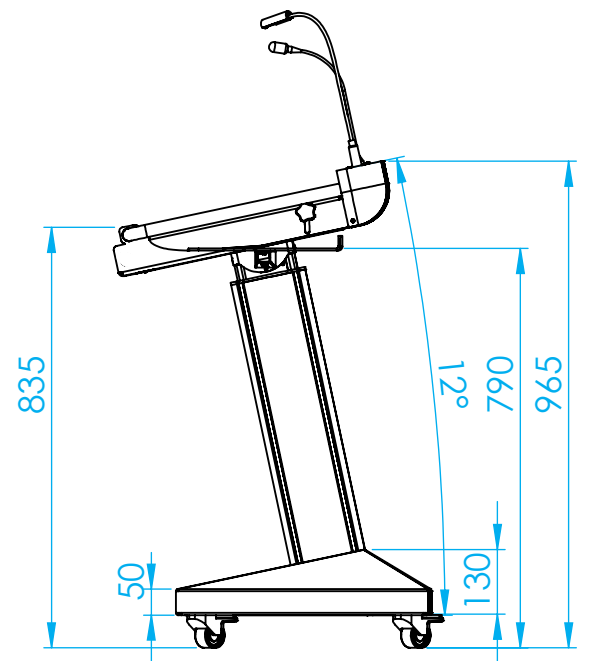
Top View



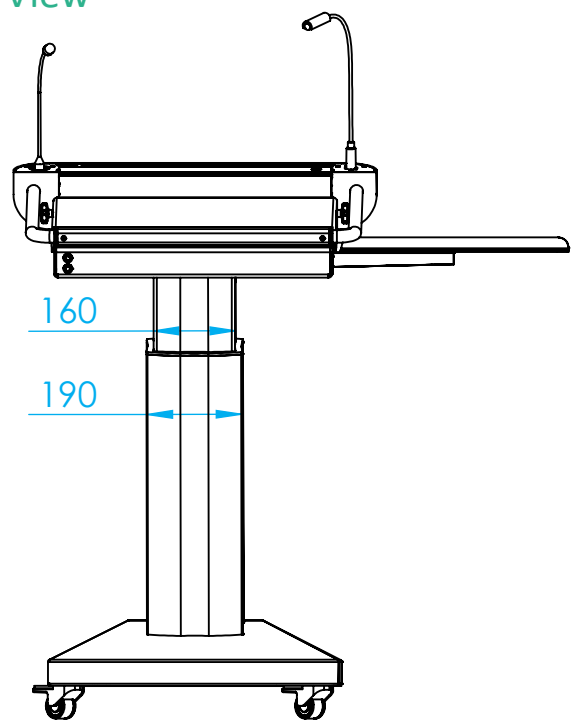
Right Side View - High



Right Side View - Low



User View



Bottom View

