

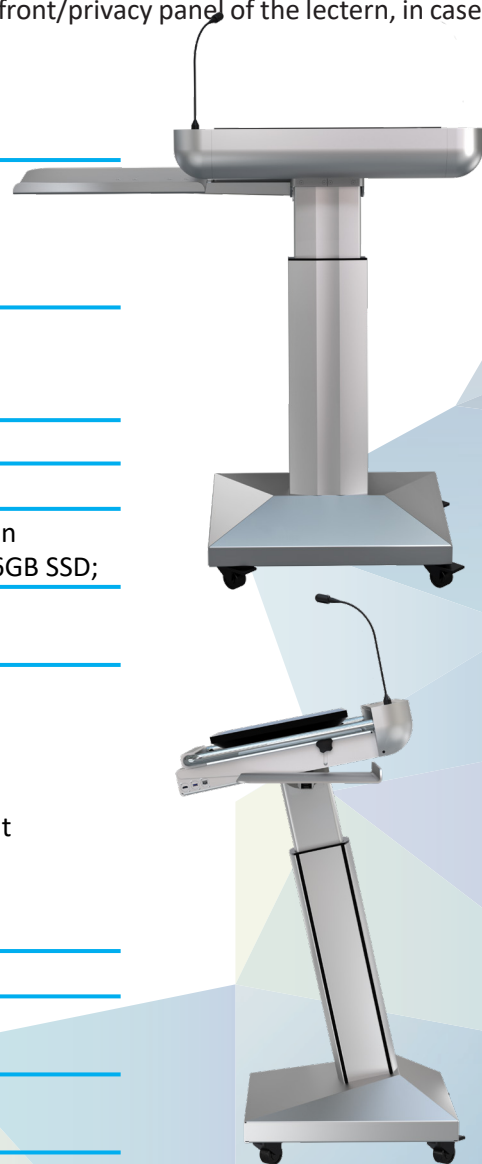
ILS prides itself to build the highest quality lecterns around from thick aluminum profiles, blocks and plates, machined to a perfect fit and style. The lecterns are virtually free of maintenance for decades. In ILS products it is possible to remove a damaged part and renew it, or to make new fittings for future upgrades without affecting the rest of the installed system.

ILS Navigator ST delivers ILS quality with a smart design and cost-efficient solution. The solid top of the lectern is placed on a motorized narrow pillar with a height adjustment range up to 40 cm (15"+). Two buttons will help you to control it. In the lowest position a seated person can freely use the system.

ILS Navigator ST is the ideal budget smart solution for the PC presentation. A holder for the micro PC is installed inside the working surface, and the integrated VESA mount allows the installation of a [touch and/or pen interactive] monitor up to 27". The working surface of the Navigator series has a tilting range of 12 - 22°. This solution also provides one horizontal side table moving up or down with the top (it is possible to install a second table). This makes it possible to use handwritten notes, a laptop, or place a document camera on it. A built-in switcher three sockets with type on request will be an excellent assistant when handling connections between the main screen of the lectern and/or a laptop, or other devices.

There is also a holder with built-in charging cables for tablets and smartphones. An XLR3 shock-mount suits most gooseneck microphones (optional 2 sockets). Additionally, for greater convenience, a keyboard tray can be integrated, side tables may take the larger contour of a document camera to create a full-fledged education tool.

For ease of movement and stability of the lectern during the presentation, four lockable smart castors are provided. In addition, we will be pleased to engrave your logo on the extra front/privacy panel of the lectern, in case of using the system in formal events!



DIMENSIONS

Width	Top: 720 mm x 535 mm Side Plate: 450 mm x 295 mm Top + Side Plate: 1100 mm Tilt adjustment: 12° - 20°
Height	User side: min: 835 mm max: 1230 mm Audience Side: min: 965 mm max: 1360 mm Tilt adjustment: 12° - 22°
Weight	65 kg

INTEGRATION

Display & PC	Monitor: 24" Dell 2418HT IPS; 10 points capacitive touchscreen PC: Dell Optiplex 3070 micro Intel Core I-5 CPU; 8GB RAM; 256GB SSD;
Accessories	Switcher: ILS 401 (4 x 1) or 3 x Sockets (type on request) Audio: 1 x Microphone: T-bone GM5212
Features	Budget model with monitor tilt for extra 10° range VESA 100x100 mount to hold a monitor up to 27" Ultra Wide Phone/Tablet holder ILS holder for micro PC installation inside working surface Height adjustment: Motorised Narrow Pillar 40cm range height 2 x Height control buttons 1 x Side Table (Right) 4 x Lockable smart castors or sideways rollers

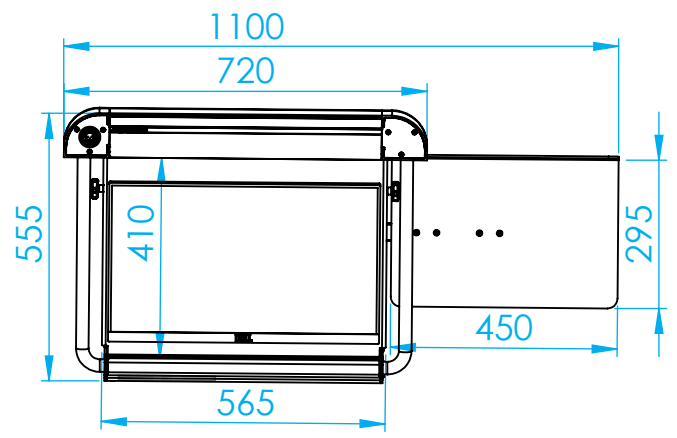
CONNECTIVITY

Top	1 x 3-Pin XLR Shock Mount for microphone 3 x Charging cables (USB type-C; Lightning; micro USB);
Bottom	1 x HDMI; 1 x PC LAN; 1 x XLR microphone; 1 x 3.5mm Audio; 1 x AC Power; 1 x HDbaseT; 1 x Switcher Control Cable;

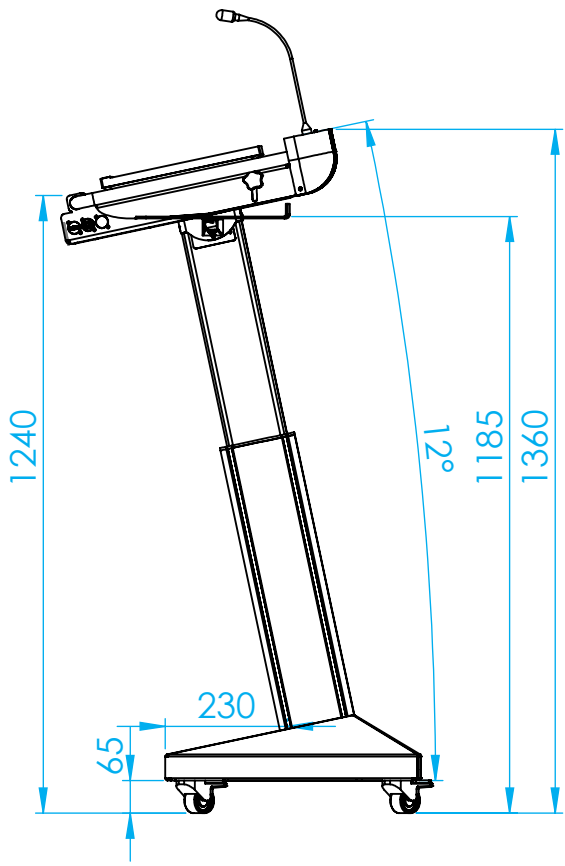
NAVIGATOR ST

CAD DRAWING

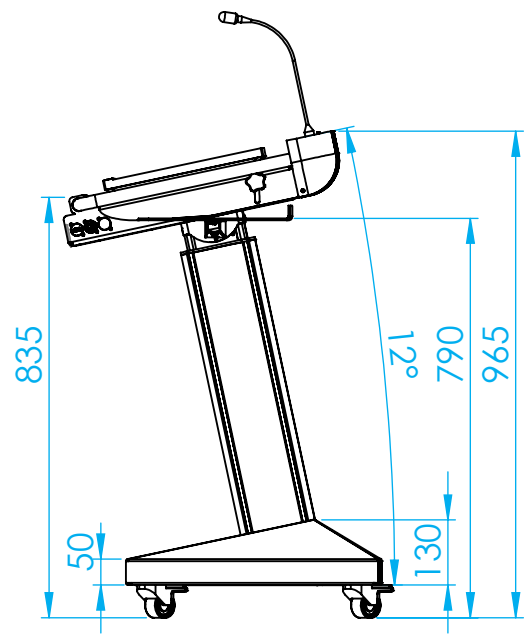
Top View



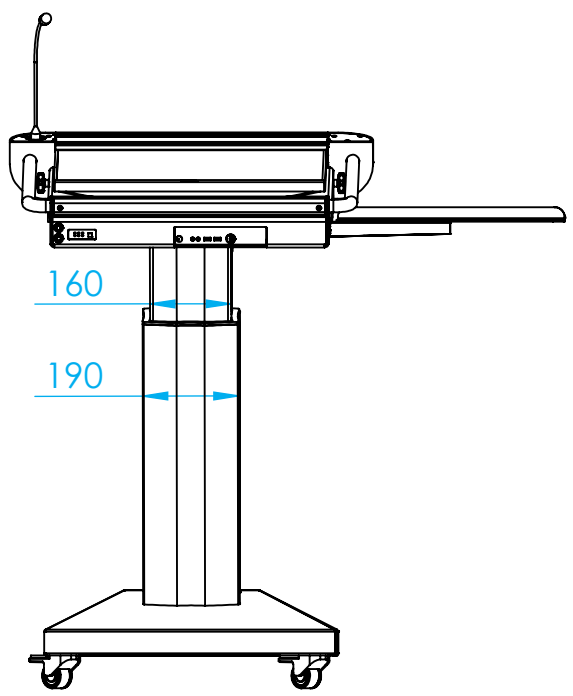
Right Side View - High



Right Side View - Low



User View



Bottom View

