

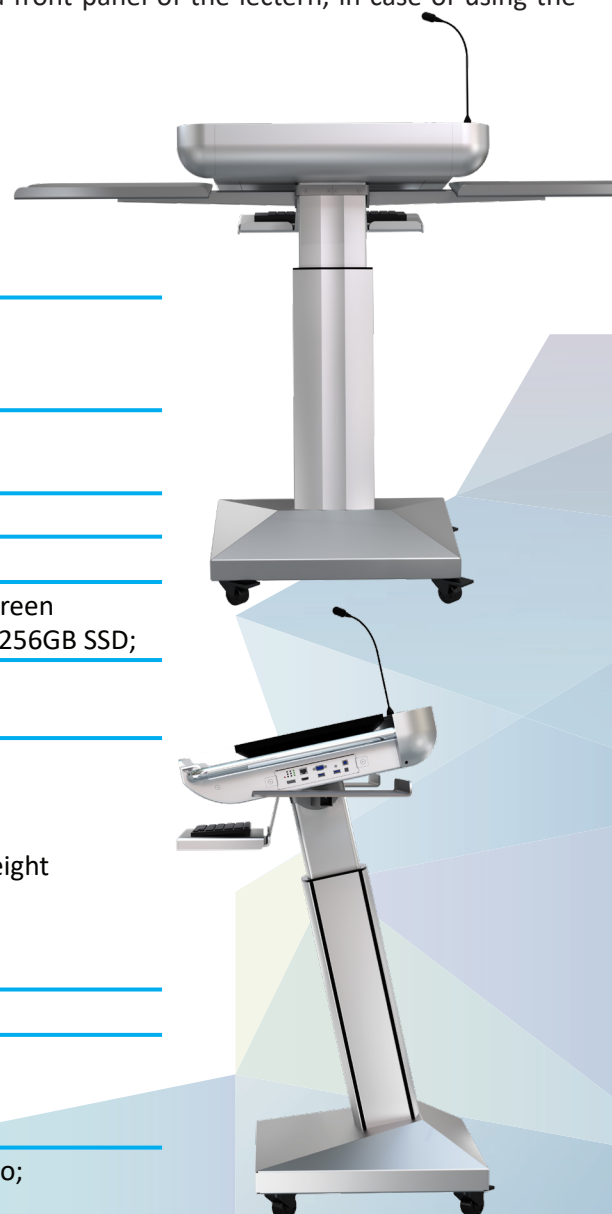
ILS prides itself to build the highest quality lecterns around from thick aluminum profiles, blocks and plates, machined to a perfect fit and style. The lecterns are virtually free of maintenance for decades. In ILS products it is possible to remove a damaged part and renew it, or to make new fittings for future upgrades without affecting the rest of the installed system.

ILS Synergy ST delivers ILS quality with a smart design. The solid top of the lectern is placed on a motorized narrow pillar with a height adjustment range up to 40 cm (15" +). Two buttons will help you to control it. In the lowest position, a seated person can freely use the system.

A holder for the micro PC is installed inside the working surface, and the integrated VESA mount allows the installation of a monitor up to 27". This lectern also provides two horizontal side tables moving up or down with the top. This makes it possible to use extra space for handwritten notes, laptop, or place a document camera on it. The built-in switcher or four sockets with the type on request will be great helpers when handling connections between the main screen of the lectern and/or laptop, or other devices. To do this, there are four buttons on the top panel of the product.

There are also two USB 3.0 sockets and a holder with built-in charging cables for tablets and smartphones. The microphone socket is of the XLR shock-mount type. Additionally, for greater convenience, a keyboard tray can be integrated.

For ease of movement and stability of the lectern during the presentation, four lockable smart castors are provided. In addition, we will be pleased to engrave your logo on the extra front panel of the lectern, in case of using the system in formal events!



DIMENSIONS

Width	Top: 720 mm x 535 mm Side Plate: 295 mm x 450 mm Top + Side Plate: 1480 mm
Height	User side: min: 860 mm max: 1250 mm Audience Side: min: 970 mm max: 1360 mm
Weight	70 kg

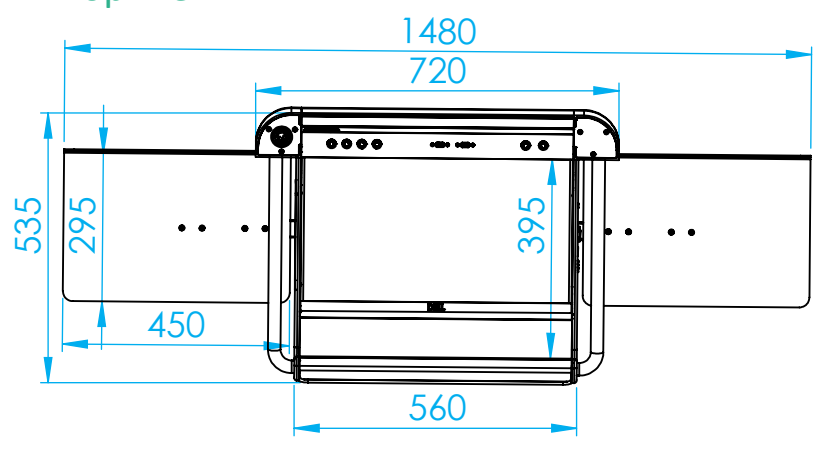
INTEGRATION

Display & PC	Monitor: 24" Dell 2418HT IPS; 10 points capacitive touchscreen PC: Dell Optiplex 3070 micro Intel Core I-5 CPU; 8GB RAM; 256GB SSD;
Accessories	Switcher: ILS503 or 4 x sockets (type on request) Audio: 1 x Microphone AKG CGN 99
Features	VESA 100x100 mount to hold a monitor up to 27" ILS holder for micro PC installation inside working surface Ultra Wide Phone/Tablet holder Height adjustment: Motorised Narrow Pillar 40cm range height 6 x Buttons (2 x Height control; 4 x Signal switch;) 2 x Side tables 4 x lockable smart castors or sideways rollers

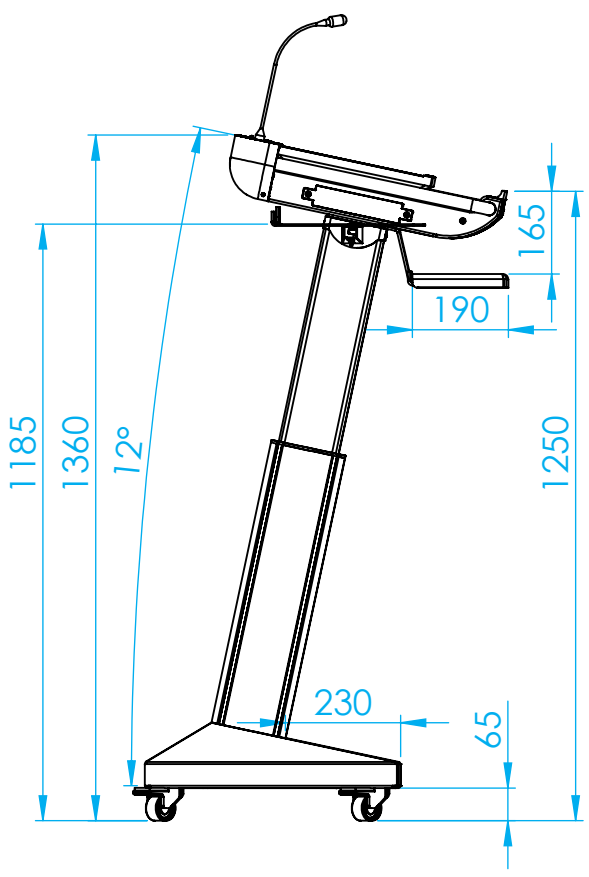
CONNECTIVITY

Top	1 x 3-Pin XLR Shock Mount for microphone 2 x USB 3.0 Sockets 3 x Charging cables (USB type-C; Lightning; micro USB;)
Bottom	1 x HDMI; 1 x PC LAN; 1 x XLR microphone; 1 x 3.5mm Audio; 1 x AC Power; 1 x HDbaseT; 1 x Switcher Control Cable;

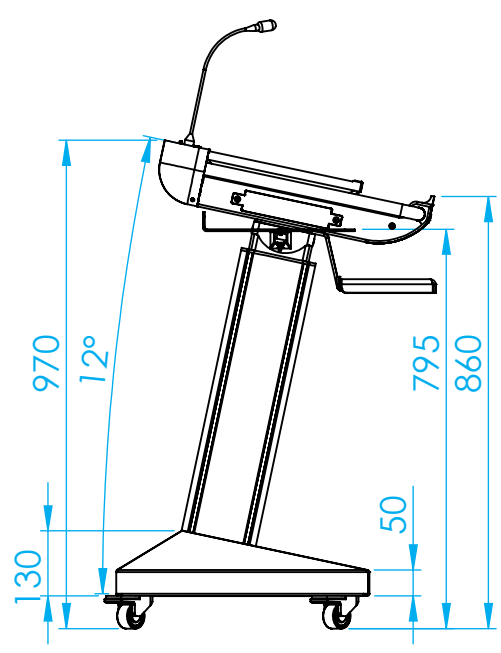
Top View



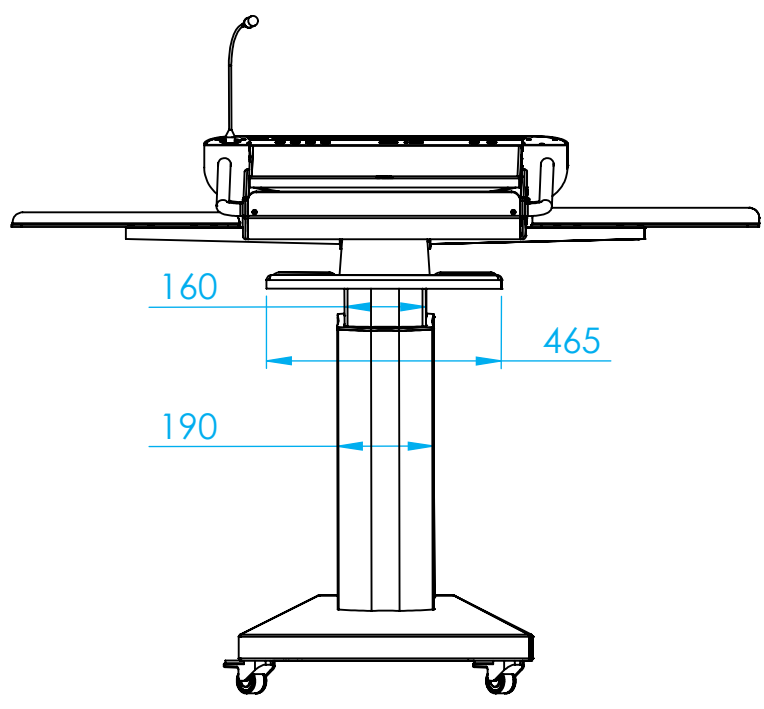
Left Side View - High



Left Side View - Low



User View



Bottom View

